

A Massey Ferguson TH Series telehandler is shown in a barn, lifting a large bale of hay. The machine is white with a red boom and has "MASSEY FERGUSON" and "TH 7038" written on it. A woman is visible in the operator's cab. The background shows the wooden structure of the barn and stacks of hay. A red triangle is in the top left corner.

MF TH SERIES

130 – 220 HP

LIFT CAPACITY: 3,000kg – 3,800kg

LIFT HEIGHT: 5.90m – 7.00m

A NEW ERA FOR STRAIGHTFORWARD
AND DEPENDABLE AGRICULTURAL
TELEHANDLERS



MASSEY FERGUSON

BORN TO **FARM**

MEETS EVERY WORKLOAD

WITH EASE AND EFFICIENCY

Anyone who buys an MF Telehandler today will expect it to fulfil the latest operational standards. They will expect it to combine the very best of today's technologies with comfort, simplicity, ergonomics, ease-of-use and quality day-in, day-out on the farm.

This is a telehandler that embodies all our farming know-how. Because we understand your farm handling needs, we are offering you a true agricultural telehandler, supported by a true and exclusive agricultural dealer network to enable you to carry on with the most demanding handling operations.

MADE TO MAXIMISE UPTIME

A NEW ERA OF SERVICES &
CUSTOMER SUPPORT

30

10

YOUR COMFORTABLE
WORKPLACE
THE CAB ENVIRONMENT

26

SMART & POWERFUL
HYDRAULICS

08

2 SEMI-COMPACT
MODELS

YOUR COMMAND CENTRE

16



| | |
|--|----|
| Take it to new heights..... | 4 |
| Your MF TH at a glance..... | 6 |
| MF TH.6030..... | 8 |
| The Cab-live for Comfort & Safety..... | 10 |
| Small Details Makes big Difference..... | 13 |
| MF TH 7" Display - Your Command Centre..... | 16 |
| Made for performance - the engine..... | 18 |
| Hydrostatic transmission..... | 20 |
| Maximum productivity, agility and manoeuvrability..... | 24 |
| Smart & Powerful Hydraulics..... | 26 |
| Made to maximise uptime..... | 30 |
| MF Services..... | 32 |
| Make the MF TH your own - Specifications tables..... | 34 |

DESIGNED BY FARMERS, FOR FARMERS

Our new telehandlers are purpose-built for hard work. Wherever you need a quick, compact solution to many applications, the MF TH Series has the capacity to perform.

Grab silage and muck, lift bales and fertiliser bags, shift feed and clean sheds. Powerful, precise hydraulics allow easy operation of heavy lifting.

Working in tight buildings can often be a challenge. MF TH Series telehandlers are highly manoeuvrable with four steering modes and the option of the MF TH.6030 semi-compact machines. Get the flexibility you need – including all-round visibility and precision handling.

Minimal servicing required which means hardly any downtime!

A VITAL PART OF YOUR WORKING DAY!

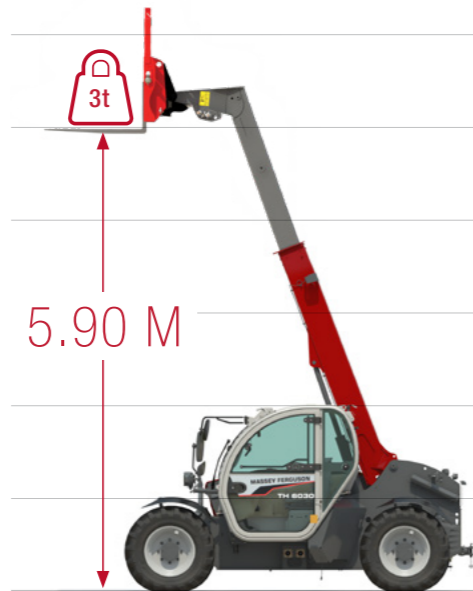
TAKE IT TO NEW HEIGHTS

WELCOME NUMBERS THAT GET THE JOB DONE

Handling jobs effortlessly and efficiently, the new MF TH Series provides you with the optimum accessibility and manoeuvrability required. This new range also gives more lift height, a long reach and the ability to carry heavy payloads. With the right attachment, the MF TH Series can achieve paramount performance in a wide variety of applications around the farm.

MF TH SERIES: YOUR AGRICULTURAL TELEHANDLER

MF TH.6030



MF TH.7038



COMPACT MODELS

2.1m x 2.1m semi compact dimensions to easily access the most confined area, 100hp for optimum power to weight ratio, 100 l/min for easy and accurate work.



STANDARD MODELS

More engine power and oil flow for the most demanding handling and transport applications, 135hp and 190 l/min oil flow for reduced full work cycle combined with a cab that offers ultimate comfort, ergonomics and visibility.



*Diagrams for illustration purposes only. Overseas models shown.



YOUR MF TH AT A GLANCE

RAISING THE BAR HIGHER

With a giant leap in efficiency, productivity, performance, visibility, ergonomics, comfort, cycle times and ease of use, the MF TH is completely transformed. This isn't just an upgrade, it's a breakthrough.

**WITH TWO MODELS TO CHOOSE FROM,
THIS IS ONE OF THE BEST CHOICES THAT YOU WILL MAKE.**

| MODELS | MF TH.6030 | MF TH.7038 |
|--------------------|-------------|------------|
| MAX. LIFT HEIGHT | 5.9m | 7.0m |
| MAX. LIFT CAPACITY | 3,000kg | 3,800kg |
| OIL FLOW | 100 L/min | 190 L/min |
| MAX POWER | 100hp | 135hp |
| TRANSMISSION | Hydrostatic | |

▶ **Quick hydraulic couplers** for fast, efficient and easy change of equipment with electric line on boom for 4th and 5th electric functions (optional) – see details p.27

▶ **A full selection of attachments available** to do all the jobs required – see details p.28

▶ **New powerful and fuel efficient engines.** Now up to 135hp for more productivity, performances and the quietest environment. Easy access for daily maintenance and an automatic fan inverter option for greater reliability and durability – see details p.18

▶ **Four-speed (2 mechanical x 2 hydraulic) hydrostatic transmission** offers comfort, accuracy, ease-of-use, smooth operation and best in class precision (MF TH.6030 is only fitted with a 2 speed transmission) – see details p.19

▶ **Automatic parking brake** for increased safety and productivity

▶ **Efficient automatic boom suspension and Cushion Retract**
Boom suspension is available for all models for maximum comfort in transport conditions. Cushion Retract is available as standard on all models for more comfort for the operator allowing the boom to retract smoothly with a reduced/controlled speed

▶ **Unbeatable lift capacity** from the high strength boom – up to 7.0m high and 3,800kg

▶ **Smart and powerful hydraulics**
All models are fitted as standard with load sensing. Multiple functions can be done at the same time. Now up to 190l/min CCLS oil flow – see details p.26

▶ **Unbeatable comfort, ergonomics and visibility**
The MF TH Series cab environment is equipped with the highest levels of comfort and controls, with maximum all-round visibility thanks to the curved shape of the cab on the MF TH.7038 and the new lowest engine bonnet design.

▶ **Four semi-automatic selectable steering modes** to provide optimum manoeuvrability in all operating conditions – see details p.25

*Overseas model shown. Black cabin not available in Australia and New Zealand.

MF TH.6030 – COMPACT DIMENSIONS, OUTSTANDING MANOEUVRABILITY

IF YOU ARE LOOKING FOR A COMPACT MACHINE THAT CAN STILL TACKLE THE TOUGHEST JOBS THEN THE MF TH.6030 IS THE IDEAL CHOICE.

Its semi-compact design, two cab positions and excellent manoeuvrability ensures unsurpassed performance in tight areas such as narrow barns and poultry buildings.

This telehandler boasts massive lift capacity with the added benefit of being more compact than its bigger counterparts, and more comfortable due to the suspended cab as standard.



up to
3t
lift capacity



2.82m



5.9m
height



2.10m



For a smoother operation when retracting the boom, all MF TH are fitted with a dampened retracting system.



Excellent manoeuvrability ensures hassle-free working days for maximum productivity. The spacious cab and comfortable operator area with fully proportional joystick allow for smooth operation.



Two cab positions for maximum versatility including low position for load operation in narrow buildings. Perfect for jobs where room is limited. The compact design means these models can get in and out of very tight areas without losing visibility and manoeuvrability.





LIVE FOR
COMFORT & SAFETY

THE CAB

THE NEW ERA
OF COMFORT,
VISIBILITY, SAFETY
AND CONTROLS

From the origins of modern tractor design, the Massey Ferguson cab has been renowned for excellence. The superior operator environment consists of a spacious cab interior with excellent all-round operator visibility and a reduced noise level. The cab layout is extremely ergonomic; controls and instruments are easy to use and have been designed to help make applications easier to manage. Because we know that a more productive operator is an operator who creates profit for their business.



2m³



VISIBILITY
4.6m²
GLASS SURFACE
providing safety, ease of operation
and control on the job in hand



71 dB
reducing stress
and fatigue





MADE FOR
**COMFORT
& SAFETY**

- 5" Standard dashboard
- Light controls
- Drivetrain controls
- Multifunction joystick
- Hydraulics controls
- Hand throttle
- Power control lever

**IT'S THE SMALL DETAILS THAT CAN MAKE
A HUGE CHANGE TO YOUR WORKLOAD**

EASY AND SECURE ACCESS

Large and wide door, steps, rails and tiltable steering column provide best-in-class accessibility to the cab.

NEW OPTIONAL 7" DISPLAY
Easy to read 7" digital dashboard is a touch screen terminal which can be personalised.



STANDARD 5" DISPLAY



ALLWAYS SAFE
Clear information displaying your MF TH stability.



ALWAYS CONNECTED
Adjustable phone and tablet holder standard on all models.



BLUETOOTH RDS/MP3 RADIO
Available with the optional touch screen terminal allowing hands-free phone calls through the armrest control switch.



Standard, fully retractable **SUN BLIND**. Two positions: roof only to protect from the sun while maintaining excellent visibility or roof with upper screen for additional sun protection.



NEW WIPERS with 30% increased coverage area. A wide series of options are available from side to top wiper.



RIGHT MIRROR FEATURES. The new position of the mirror – in front of the driver – reduces the total width of the machine, allowing easy access to narrow spaces. It ensures the best view during transport and reduces blind spots. Option includes: electric de-icing and electronically adjustable mirror on the right-hand side.



STORAGE Multiple storage spaces available.



TAKE YOUR SEAT AND ENJOY YOUR WORKING DAY IN COMFORT

Massey Ferguson offers a range of best-in-class seats that provide outstanding comfort.



CLIMATE CONTROLS are easily accessible on the console.



Always get fresh drinks and food courtesy of the **LUNCH BOX**.



MECHANICAL SUSPENSION available on MF TH.6030 & MF TH.7038.*

PNEUMATIC SUSPENSION with longitudinal suspension. Available on all models.*

HIGH QUALITY PNEUMATIC SUSPENSION longitudinal suspension, heating, Dynamic Damping system. Available on standard models.*

*see page 34 for more information

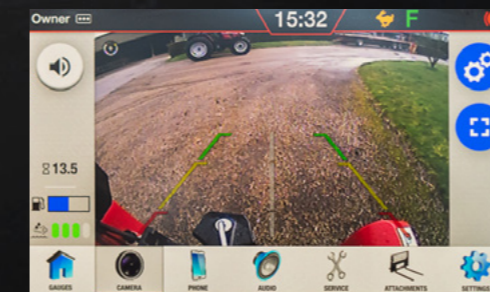
NEW MF TH 7" DISPLAY MADE FOR CONTROL

THE NEW MF TH RANGE HAS TAKEN CONTROL TO NEW HEIGHTS.

Coming as standard with a new 5" digital dashboard, the new MF TH also offers an optional 7" touch screen terminal allowing you to control all the jobs in hand. It includes music settings and integrated radio, Bluetooth connection and job management.

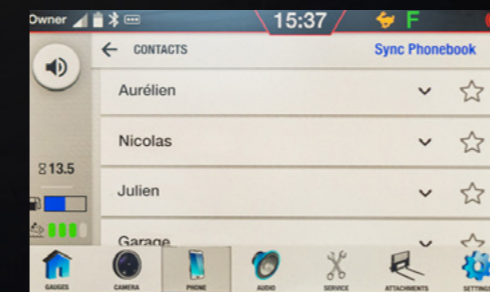


YOUR MF TH COMMAND CENTRE



Video Mode

Pictures from the on-board camera can be displayed on the console screen, allowing operators to monitor complex implements and handling on the front or simply improve safety and efficiency when reversing (optional rear camera).



Hands Free Phone control

The 7" Terminal has integrated Bluetooth telephone connection.

Microphone is integrated in the dashboard below the steering wheel and allows you to get all your phone calls while accessing your contact list directly from the screen.



Radio and Playlist

Get direct control of your favourite radio channels and your personal music playlist on your phone directly from your MF TH telehandler screen.



Machine parameters settings

All information is available at a glance on the new displays, with intuitive settings for more comfort and productivity. Easy to read and navigate, they'll allow you to control the dashboard and all machine settings: SHS (smart handling system), SMS (speed management system), Steering mode and alignment, Fan reversion timing, DPF management.



Hydraulic sequence settings

Standard feature SHS (smart handling system). From the new display menu, the operator will be able to set the max hydraulic flow available. By adjusting the max flow, the machine can be much smoother and more accurate.



Screen Control Pad

This quality automotive feature provides easy navigation on the display and is ideally located on hand in front of the joystick. It allows you to navigate all functions of the terminal you can: take your phone calls, control the radio and select your steering mode very easily.



MF TH **ENGINE**

The engine features straightforward maintenance as all components are easily accessible and the horizontal cooling package allows a straight airflow, for the best engine cooling.

NEW DESIGN **BONNET**

THE BEST ENGINE'S COMPONENTS ACCESSIBILITY

To keep improving component's accessibility, the new MF TH comes with a more rigid bonnet, featuring high opening height of 2,00m with standard chassis and an improved height of 1,85m height with compact chassis. Its more rigid structure and 2 piston gas will provide more comfort to the customer when closing and opening the engine's bonnet.

SMOOTH OPERATION FROM THE HYDROSTATIC TRANSMISSION

WHEN IT COMES TO DRIVE POWER, WE'VE REALLY SHIFTED UP A GEAR.

The two speed hydrostatic gearbox offers simplicity and smoothness of operation as well as high-performance output and capability. It has speed capabilities of up to 40km/h* with two mechanical gears with two hydraulic speed ranges which allows you to choose the best speed for the application and gives excellent performance in road transport.

It also has an easy-to-set creeper function for operations that demand low speed at higher engine revs providing more accuracy and control for operations such as sweeping, silage distribution, and straw spreading.



“ Control in the palm of your hand. ”

MADE FOR CONTROL

The Multifunction Joystick lever operates the transmission as well as controlling the hydraulics. It includes boom float and bucket shaking for even greater operations efficiency.

All operations are easily to hand for greater comfort.



*Optional for Efficient version

POWER CONTROL LEVER

Coming from the MF tractor ranges, and exclusive and simple, the unique Massey Ferguson Power Control lever provides straightforward three-in-one operation.



- YOU CAN:**
- shuttle between forward /reverse
 - hydrostatic speed change: up and down
 - de-clutch
 - select neutral

LEAVING YOUR RIGHT HAND FREE TO OPERATE YOUR HANDLING TASK.

A NEW ERA OF TRANSMISSION TECHNOLOGY.

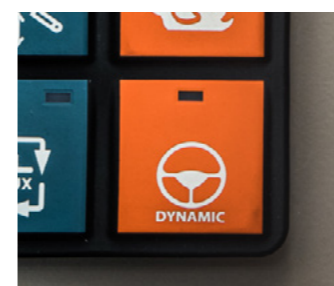
THE SMOOTHEST
**HYDROSTATIC
TRANSMISSION**
IN THE MARKET



HAND THROTTLE – AUTO MODE

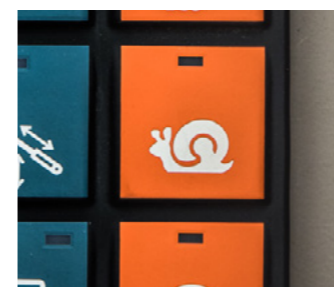
Hydrostatic transmission makes it possible to manage engine rpm and forward speed independently. The hand throttle allows the driver to set constant engine rpm.

It allows high engine rpm and low machine speed without braking. When going to neutral: machine is stopped by the transmission, without braking, while engine rpm remains constant. It reduces cost of ownership and is a perfect feature for applications requiring high and constant hydraulic flow or continuous pumping, such as cattle feeding and ground sweeping.



NEW: "DYNAMIC DRIVE" MODE

Changes shuttle aggressiveness and throttle response. Depending on applications, or personal preferences, you can choose your favourite driving mode: Soft or Dynamic.



SMS - SPEED MANAGEMENT SYSTEM

You can easily set a maximum speed, using the creeper mode, and activate it with a switch on the lateral panel (0 to 100% with 1% step). Very convenient when very low speed is required, in very tight spaces, providing higher accuracy with special tools.

MF TH TRANSMISSION BENEFITS AT A GLANCE

- ▶ Hydrostatic transmission allows very accurate and very smooth control with 2 hydrostatic gears under load
- ▶ Unique 4 speed transmission providing high power and high performance
- ▶ Choose the best ratios for ergonomic control of the machine
- ▶ Maximum speed can be set thanks to creeper mode. This is perfect for silage distribution
- ▶ New transmission mode (RPM set, and pedal controlling only the speed) including hand throttle



2 or 4 speeds
HYDROSTATIC
transmission



20%
smoother than
previous generation

MAXIMUM PRODUCTIVITY, AGILITY AND MANOEUVRABILITY

THE MF TH SERIES IS A SERIOUS PERFORMER THAT WILL PROVE TO BE INVALUABLE AROUND THE FARM.

Handling jobs effortlessly and efficiently, the MF TH Series provides you with the optimum accessibility and manoeuvrability. The MF TH series also gives you the lift height you need, a long reach and the ability to lift heavy payloads.

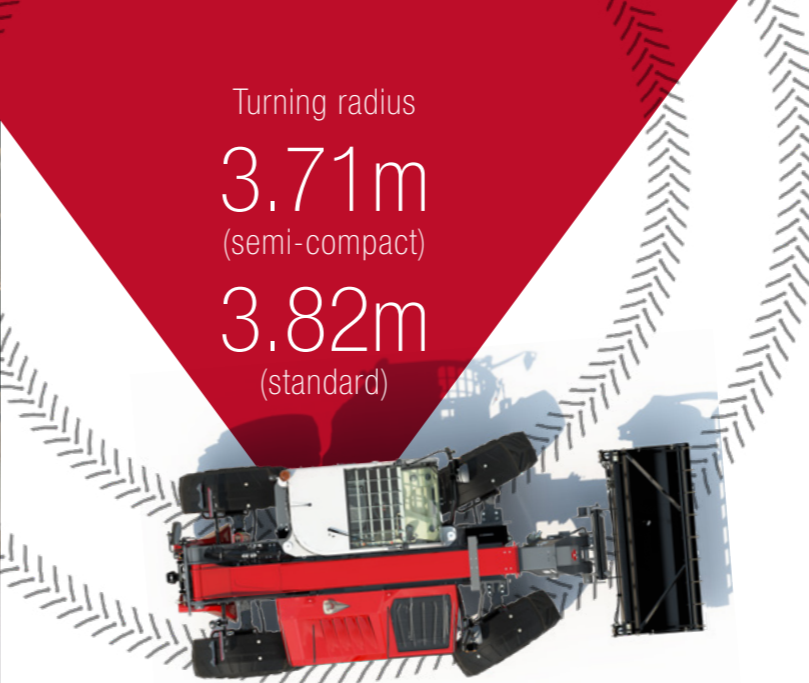
Excelling in both loader operations, where plenty of hydraulic flow is provided, through to 40km/h* road transport applications, where power and comfort is essential, each MF Telehandler boasts impressive capabilities, whether you're moving bales or shifting feed.



Turning radius

3.71m
(semi-compact)

3.82m
(standard)



▲ **MANOEUVRABILITY**

The choice of steering mode and the overhang-less design provide impressive manoeuvrability, courtesy of a reduced turning radius, minimising the risk of damage to machines and buildings when manoeuvring in tight spaces.

▼ **AUTOMATIC BOOM SUSPENSION** is available, which greatly increases operator comfort, for example when towing a large trailer of straw at 40km/h* during road transportation.



SELECT YOUR PREFERRED STEERING MODE

All models have four selectable steering modes to provide optimum manoeuvrability in all operating conditions. Changing from one mode to another is easy: Just pre-select the mode by pressing the switch in the cab.



TWO-WHEEL steering mode



FOUR-WHEEL steering mode – for minimum turning circles.



CRAB-STEER mode – for efficient filling and grading alongside walls in confined spaces.



SEMI CRAB-STEER mode – set rear wheel angle. Useful for applications such as silage or barn cleaning.

* Both chassis with 24" tyres

POWERFUL AND SMART HYDRAULICS GIVE A LIFT TO YOUR PRODUCTIVITY, COMFORT AND SAFETY

A powerful and consistent hydraulic system is paramount to the everyday productivity of your telehandler. There is a load-sensing spool valve management system on all models.

All functions are electro-hydraulic and proportional thanks to a load-sensing hydraulic system. It's very accurate and easy to use, plus it allows you to simultaneously use three functions, increasing productivity and reducing downtime.

There is optimum hydraulic flow across the entire range with 100 l/min on MF TH.6030 and a market-leading flow of 190 l/min on the MF TH.7038.

The load-sensing pump that supplies 190 litres of oil per minute on the MF TH.7038 offers outstanding capabilities and performance, even at low engine speeds. Therefore, you can work at significantly lower engine speeds, consume less fuel and can count on remarkably shorter working cycles.



High spec boom controls, thanks to four electro hydraulic load sensing spool valves, will allow you to simultaneously use three functions with high precision. Automatic boom suspension also provides outstanding comfort for all transport applications. Its activation is automatically linked to the speed of the machine.



CONNECTING AND DISCONNECTING is simple thanks to the connector block and its pressure release system. For more demanding implements such as straw choppers and feeding buckets an electric line can be specified, giving a fourth and fifth service.



BUCKET SHAKING is a new optional feature coming together with boom float on the new Joystick. The operator can now easily empty the implement of sticky materials by pressing the blue switch and moving the joystick at the same time.



MF SMART HANDLING SYSTEM. Min and Max height setting, linked to the angle boom.

MAXIMUM HEIGHT – The driver is now able to set a maximum height of boom head by easily activating a switch on the lateral panel when the required height is reached. It will provide more safety and comfort when operating inside a building or while loading, especially with for less regular users.

The **RETURN TO THE GROUND** feature allows the operator to set a working height. When manually lowering the arm, the boom self-retracts and the boom stops when the working position is reached. Increasing productivity, comfort and preventing soil and implement damage.

STRONG AND EFFICIENT ATTACHMENTS

THE PERFECT RANGE OF ATTACHMENTS TO GO WITH THE MF TH TELEHANDLER SERIES TO BE ABLE TO COPE WITH ALL TYPE OF APPLICATIONS.

Bucket, Digging and Loading

Tackle the toughest digging and material handling tasks with our robust digging and loading buckets. They offer good visibility of the cutting edge, excellent breakout force for digging and easier and faster bucket filling. Available in a range of capacities, with or without teeth.

Bucket, Large Capacity

Boosts productivity thanks to its increased roll-back angle to minimize spillage.

Use it to load grain to trucks or to distribute fertiliser.

Bucket with Grapple

The ideal attachment to pick up and handle dirt and soil with overgrowth, branches or other bulky materials that need to be firmly grasped during transport.

Fork with Grapple

This is the easy way to handle loose hay, bedding and manure on the farm and other sites. Use the utility fork by itself or add the hydraulic grapple for more gripping power.

Pallet Forks

Great for handling bulky or bagged materials such as fertilizer, seed and animal feed. Choice of rigid or floating forks available (with sideshift on the rigid fork frame).

Bale Fork

Use it to efficiently transport and load round bales from the ground onto a trailer or into a bale feeder.

Bale Squeeze Handler with Tubes

All the performance of our tined bale handler but with two hydraulic arms in the form of round tubes to ensure a secure hold on single bales.

Bale Squeeze Handler with Tines

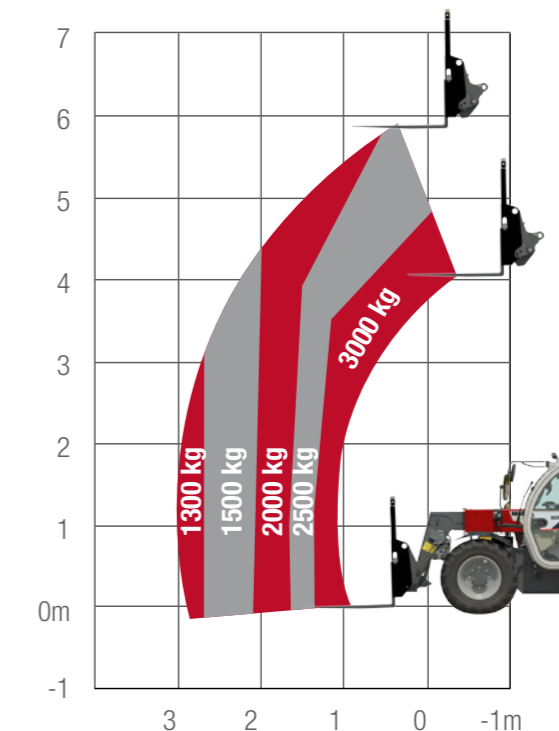
Transport and load up to two round bales from the ground to a trailer or bale feeder. The independent hydraulic arms, each equipped with 4 tines, provide a firm grip.



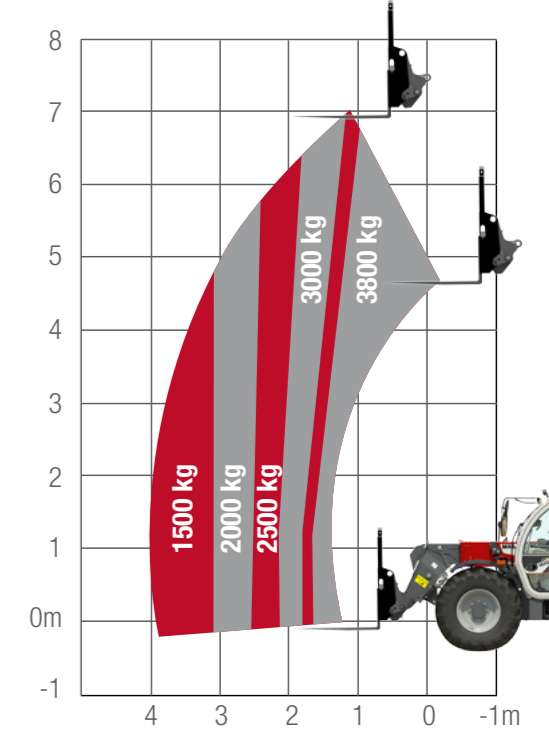
LIFT CAPABILITIES BROUGHT TO NEW HEIGHTS

ILLUSTRATIONS CLEARLY SHOW THAT EACH MODEL OFFERS OUTSTANDING LIFT PERFORMANCE IN ITS RESPECTIVE CLASS

MF TH.6030



MF TH.7038



MADE TO MAXIMISE UPTIME

Buying, owning and maintaining farm machinery can be complex, so having absolute peace of mind that you have great back-up and support is a hugely important consideration. As a Massey Ferguson customer you are assured of personalised, responsive and friendly support from our network of expert dealers who truly understand your business.



THE MF TH TELEHANDLER SERIES HAS BEEN DESIGNED TO PROVIDE FAST, STRAIGHTFORWARD, EASY AND COST-EFFECTIVE ROUTINE MAINTENANCE.

Fast, straightforward and easy routine maintenance thanks to the parallel engine installation. Servicing is simple thanks to well positioned service points, taking the stress out of maintaining your telehandler and leaving you with more time.

Side opening of the bonnet gives you wide, open access to the engine, air filter, cooling system and air conditioning system, providing quick serviceability to all the major points.

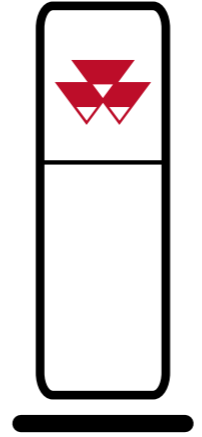


The air filter can be removed easily for checking and cleaning. An optional automatic reverse fan is available if required. Just blow out any dust, straw and other material that may become stuck to the cooling package.



Easily lift the hood to check the engine and radiator. All routine engine, hydraulic and transmission service points are easily located for fast and simple maintenance.





MASSEY FERGUSON DEALER NETWORK

Your MF Dealer represents the best farm machines expertise in your area. You can always turn to your dealer and receive the best service from sales, maintenance, repair and spare parts to the purchase of a new piece of equipment.

MORE THAN 4,700 SERVICE & REPAIR POINTS WORLDWIDE

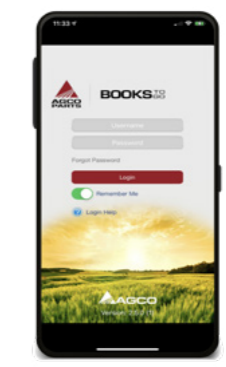


MASSEY FERGUSON GENUINE PARTS

REPRESENTS THE BEST GUARANTEE OF SAFEGUARDING THE VALUE OF YOUR NEW MACHINE OVER TIME, PROTECTING IT FROM UNPLANNED DOWNTIME.

Choose from an extensive range of accessories including lubricants, AdBlue, care kits, cab accessories and much more. All accessories are available for purchase exclusively from your MF Dealer.

Using the smartphone app "AGCO Parts Books to go", you can find MF spare parts quickly and easily and order them directly. The app is available for download in the App Store and in the Google Play Store. Your personal access data is available from your MF Dealer.



AGCO FINANCE

PROVIDES THE PERFECT FINANCING ARRANGEMENT FOR YOUR BUSINESS.

AGCO Finance is the integrated financial services arm of Massey Ferguson offering tailor-made solutions to your own farm, which includes Leasing, Loan facilities, Hire purchase, Full service packages and Contract hire.

For the above support packages, country terms and conditions apply. Please note all packages may not be available in all markets. Please check with your local MF Dealer/Distributor.

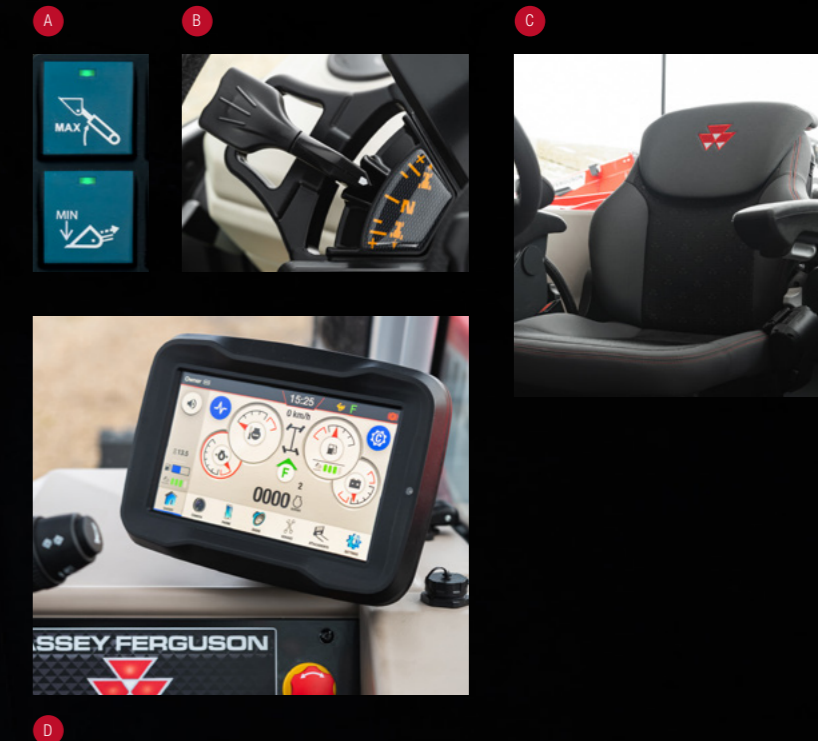
MAKE THE MF TH YOUR AS UNIQUE AS YOUR FARM

| | MF TH.6030 | MF TH.7038 |
|--|------------|------------|
| Hydraulics | EFF | EFF |
| All hydraulic function proportional and electro hydraulics | ● | ● |
| Boom 3rd function with adjustable flow | ● | ● |
| Mechanical implement attachment | ● | ● |
| Hydraulic implement attachment | ○ | ○ |
| Cushion retract | ● | ● |
| Smart Handling System (SHS) | ● | ● |
| Automatic boom suspension | ● | ● |
| Automatic boom suspension, boom float and bucket shaking | ○ | ○ |
| Continuous 3rd function flow | ● | ● |
| Auto 3rd function (Flow and timing setting) | ○ | ○ |
| Boom head 4th & 5th functions (pre-wire) | ○ | ○ |
| A Max and min angle boom setting | ● | ● |
| Rear hydraulic line | ○ | ○ |
| Transmission | | |
| Hydrostatic (40 Km/h) | ● | ● |
| Inching pedal | ● | ● |
| B Power Control Lever (3 functions) | ● | ● |
| Forward/Neutral/Reverse button on joystick | ● | ● |
| Speed Control System | ● | ● |
| Electric Parking Brake | ● | ● |
| Transmission dynamic mode | ● | ● |
| Hand throttle with pedal speed management | ● | ● |
| Engine | | |
| Automatic isolator switch | ● | ● |
| Integrated Cyclonic air pre-filter | ● | ● |
| Automatic reverse fan | ● | ● |

- Standard specification
- Optional
- Not available

| | MF TH.6030 | MF TH.7038 |
|--|------------|------------|
| Cab | EFF | EFF |
| Removable floor mat | ● | ● |
| Mechanical suspension seat | - | - |
| Air pneumatic seat | ● | ○ |
| Air pneumatic seat (Heating & automatic setting) | - | ● |
| C Air pneumatic seat (Heating & automatic setting) and Joystick on armrest | - | ○ |
| Air conditioning | ○ | ○ |
| Phone holder + USB socket | ● | ● |
| Aerial speakers & antenna | ● | ● |
| Radio / CD / MP3 / Front Aux-in / Bluetooth / USB connector DAB | ● | ● |
| 5 " terminal colour display | ● | ● |
| D 7" terminal colour display, telephone function, radio, and Job management | ○ | ○ |
| Roof wiper | ● | ● |
| Lateral window wiper with washer | ○ | ○ |
| Electric mirror with de-icing on right hand side | ○ | ○ |
| Rotating beacon & Back Up alarm | ● | ● |
| White noise back up alarm | ○ | ○ |
| Lunch box | - | - |
| Steering | | |
| Four steering modes with automatic alignment | ● | ● |
| Front axle with differential @ 45% limited slip | - | ● |

| | MF TH.6030 | MF TH.7038 |
|--|------------|------------|
| Others | EFF | EFF |
| Protective grill for windshield (front and roof) | ○ | ○ |
| Work lights | ● | ● |
| Work lights for henhouse | ○ | ○ |
| Work lights on boom | ○ | ○ |
| Road LED lights | ○ | ○ |
| Work LED lights | ○ | ○ |
| Tool box | ○ | ○ |
| Hydraulic trailer brake single line | ○ | - |
| Hydraulic trailer brake dual lines | ○ | ○ |
| Clevis | ● | ● |
| Quick height adjustment clevis | ○ | ○ |
| Quick height adjustment automatic clevis | ○ | ○ |
| Hydraulic pick up hitch | ○ | ○ |
| Bucket | | |
| Digging bucket | ○ | ○ |
| Light material bucket | ○ | ○ |
| Pallet fork | ○ | ○ |
| Bale spike | ○ | ○ |
| Grapple bucket | ○ | ○ |
| Grapple fork | ○ | ○ |
| Bale handler (teeth or tube) | ○ | ○ |



Every effort has been made to ensure that the information contained in this publication is as accurate and current as possible. However, inaccuracies, errors or omissions may occur and details of the specifications may be changed at any time without notice. Therefore, all specifications should be confirmed with your Massey Ferguson Dealer or Distributor prior to any purchase.

TECHNICAL SPECIFICATIONS

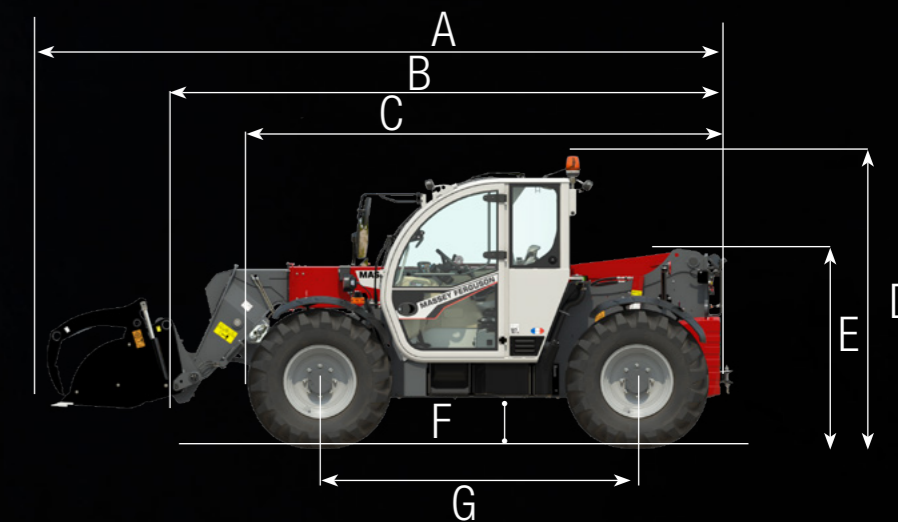
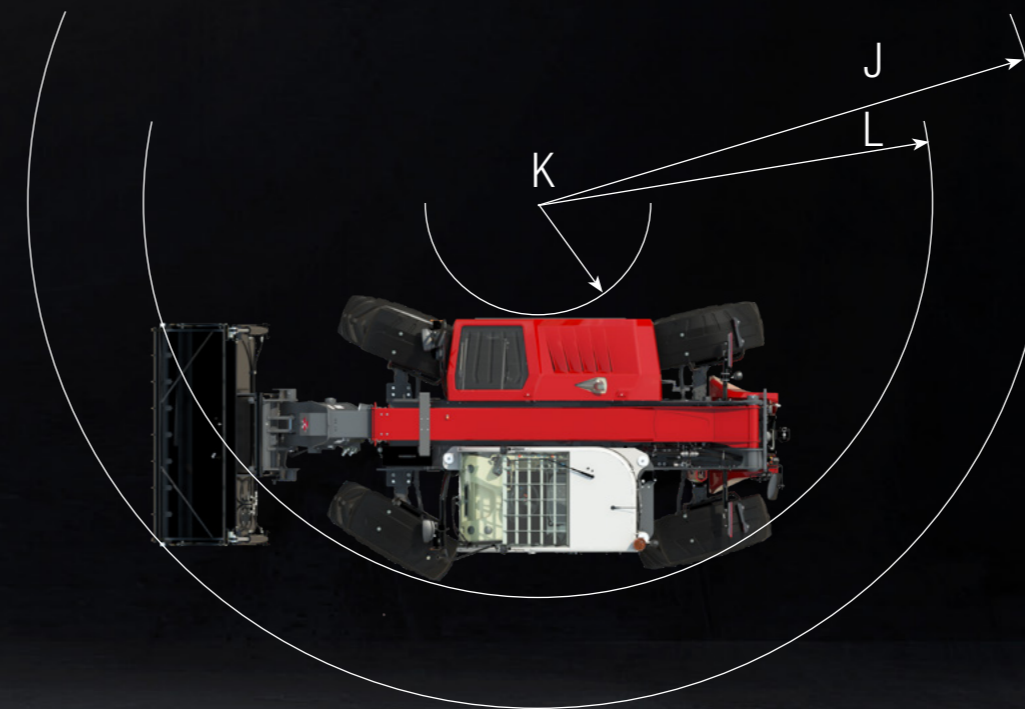
| LOADER PERFORMANCE (norm EN 1459: 1998 Annex B) | | MF TH.6030 | MF TH.7038 |
|---|-------|------------------|--------------------------|
| Max. lift capacity | | | |
| at ground level | kg | 3,000 | 3,800 |
| at full lift height | kg | 2,500 | 3,800 |
| at load configuration 2m length @ 4 m height | kg | 2,000 | 3,000 |
| Breakout force | kN | 3,600 | 6,200 |
| Max. lift height | m | 5.9 | 7 |
| Forward reach - boom extended | m | 3.13 | 4 |
| Hydraulic system | | | |
| Boom - gear pump capacity | l/min | 100 | 190 |
| Transmission | | | |
| Type | | Hydrostatic | |
| Mechanical gears | | - | 2 |
| Hydraulic speeds | | 2 | 2 |
| 1st gear speed* | km/h | 9.7 | 6 |
| 2nd gear speed* | km/h | 40 | 12 |
| 3rd gear speed* | km/h | - | 18 |
| 4th gear speed* | km/h | - | 40 |
| Engine | | | |
| Engine type | | Perkins 1104D-TA | Perkins 1104D-ETA |
| Injection type | | Mechanical | Electronic (common rail) |
| Displacement / no cylinders | | 4,4 / 4 | |
| Number of valves per cylinder | | 2 | 4 |
| Bore X stroke | | 105 mm X 127 mm | |
| Engine power (hp) @ 2200rpm | | 100 | 130 |
| Engine torque (N.m) @ 1400rpm | | 410 | 510 |
| Tyres | | | |
| Standard | | 405/70 R 20 | 460/70R24 |
| Optional | | 400/70 R 24 | 500/70R24 |
| Brakes | | | |
| | | Oil immersed | |
| Weights | | | |
| Weight, without implement, 24" tyres | kg | 5,555 | 7,530 |
| Cycle time (sec) @ maximum engine rpm | | | |
| Lift time | | 5.3 | 4.9 |
| Lower time | | 4 | 4.3 |
| Telescope out | | 5 | 4.8 |
| Telescope in | | 3.6 | 4.9 |
| Crowding time | | 2.5 | 2.3 |
| Dumping time | | 2.4 | 2.5 |

* with max speed specified machine

Dimensions

| | MF TH.6030 | MF TH.7038* |
|---|----------------|-------------|
| A | 5,712 | 6,074 |
| B | 4,507 | 4,869 |
| C | 4,035 | 4,145 |
| D | 2,184*/2,100** | 2,457 |
| E | 1,671*/1,587** | 1,752 |
| F | 348*/ 264** | 430 |
| G | 2,820 | 2,870 |
| H | 1,666 | 1,895 |
| I | 2,100 | 2,300 |
| J | 4,817*/4,689** | 4,944 |
| K | 1,556*/1,383** | 1,111 |
| L | 3,875*/3,717** | 3,714 |

All measurements in mm
 *24" tyres ** 20" tyres



*Diagrams for illustration purposes only. Overseas models shown.





www.MasseyFerguson.com.au
www.MasseyFerguson.com.nz

www.facebook.com/masseyfergusonANZ
[Twitter.com/MF_EAME](https://twitter.com/MF_EAME)
[Instagram.com/MasseyFergusonGlobal](https://www.instagram.com/MasseyFergusonGlobal)
www.YouTube.com/MasseyFergusonGlobal



MASSEY FERGUSON® is a worldwide brand of AGCO.
© AGCO Corporation



MASSEY FERGUSON

BORN TO **FARM**